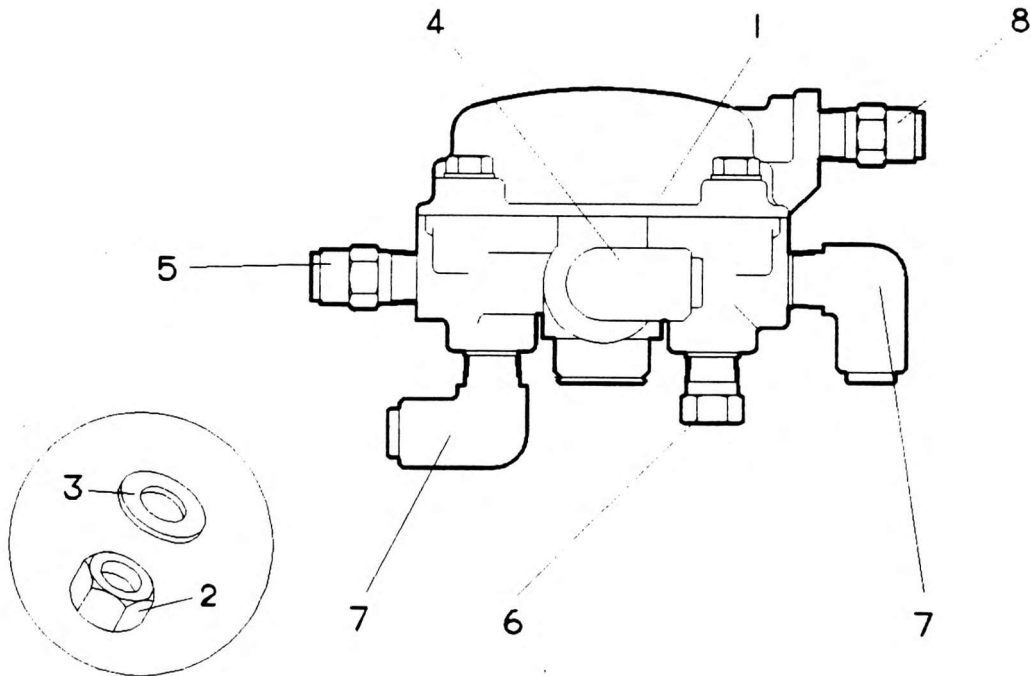


VALVE SUB ASSY RELAY PARK BRAKE



ITEMS 2 AND 3 USED
TO MOUNT V/V ON APPROPRIATE STUDS

NO.	PART NO.	QTY.	DESCRIPTION	NO.	PART NO.	QTY.	DESCRIPTION
1	+ = -	1	Relay Valve				
2	7069301	2	Nut Hex M10				
3	7066538	2	Washer M10				
4	7-443-991035	1	Fixed Elbow Adaptor				
5	7-443-990968	1	Adaptor $\frac{3}{8}$ " NPTF x $\frac{3}{8}$ " Tube				
6	13052	1	Plug $\frac{3}{8}$ " NPT Dry				
7	7-443-991027	2	Fixed Elbow Adaptor				
8	7-443-990965	1	Adaptor $\frac{1}{4}$ " x $\frac{3}{8}$ "				

+ See further breakdown in this group

= Refer to Machine Component Index